

Banner or Flag Display Day

Creating a team banner or flag is encouraged to build and display team support. This is also a way to acknowledge those people in our community that sponsor our teams. There will not be any competition this season. We feel that the flag or banner should be used as a symbol of team spirit and recognition of sponsorship. The competition between teams for any reason should be minimized. This will also allow us to feel more like experimenting with various materials, structural designs etc.

On opening day, we will display banner and flags for each team.

The banners/flags will be displayed along the path that leads from the snack bar to the ref shack. You can set up as early as 8:30 am and leave them there until noon. You may get your banner/flag for pictures if you are signed up for that day.

Banner or Flag Guidelines

These guidelines are intended to assist you with the production of your banner or flag. However there are several rules that should be displayed on every banner or flag:

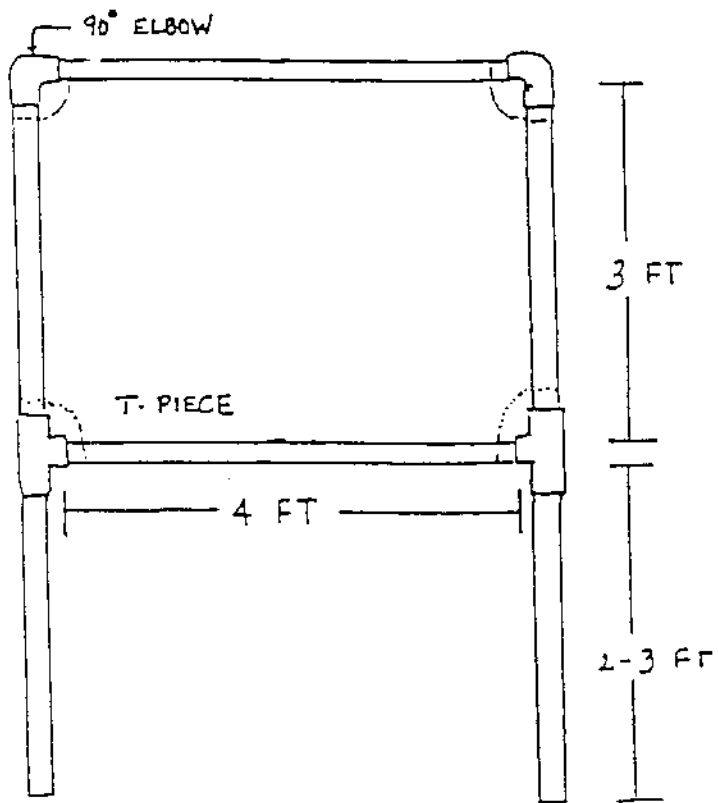
- 1) Team name
- 2) Name of team sponsor
- 3) "AYSO" and the team division and number (i.e. Boys U6 Team 3)
- 4) Design related to the team name should be used
- 5) The banner or flag should be used for the team photo

Flag

- ❖ The finished flag dimensions are approximately 28 " x 48".
- ❖ Material is medium weight nylon
- ❖ Cut fabric material should be around 30" x 53", allowing for a 3 inch pocket on each side of the flag.
- ❖ Hem all sides and sew pocket seams shut at top so the flag won't slide down the PVC pipe.

Banner

- ❖ Banners are usually about 3 feet x 4 feet
- ❖ Lettering should be about 3 inches in height at a minimum
- ❖ The banner frame is made of ¼ inch PVC pipe and pipe fittings and is held in place by legs slipped over the pipe or rebar placed in the ground



MATERIALS LIST

#	
2	90° ELBOWS
2	T PIECE
2	4 FT 3/4" PVC PIPE
2	3 FT 3/4" PVC PIPE
2	2-3 FT 3/4" PVC PIPE
2	2-3 FT REBAR